

SONY[®]

LCD COLOR VIEW FINDER

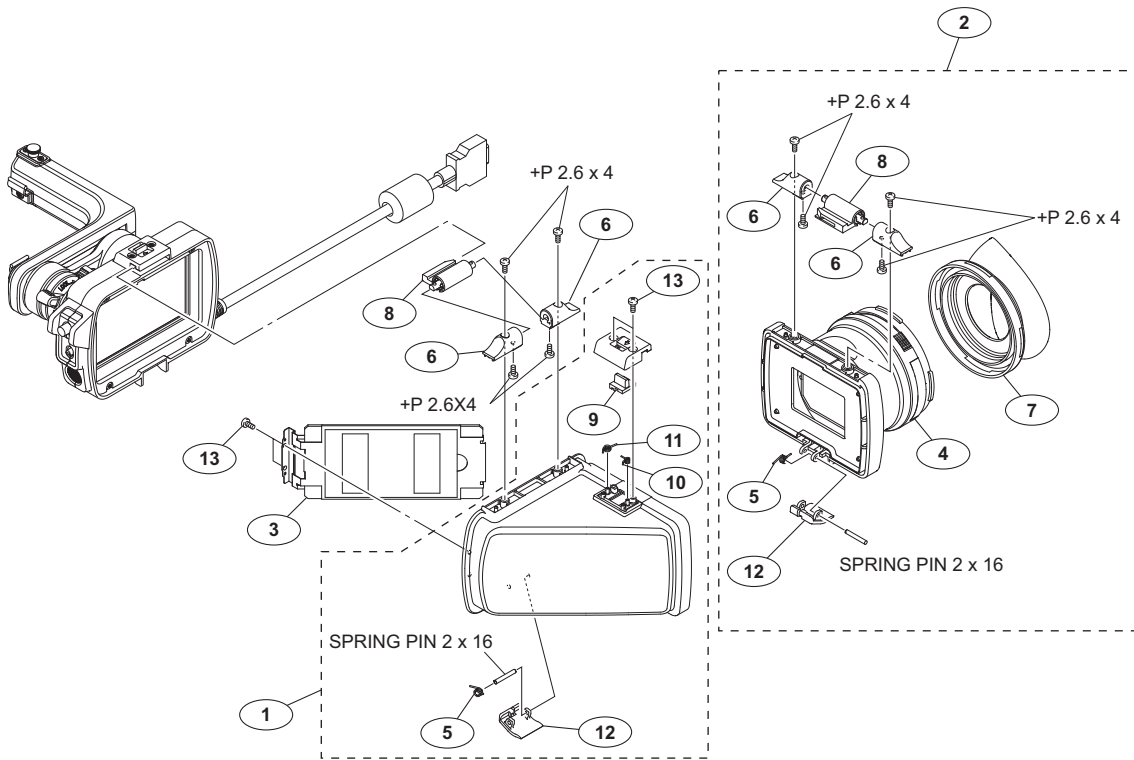
DVF-L350

SERVICE MANUAL

1st Edition

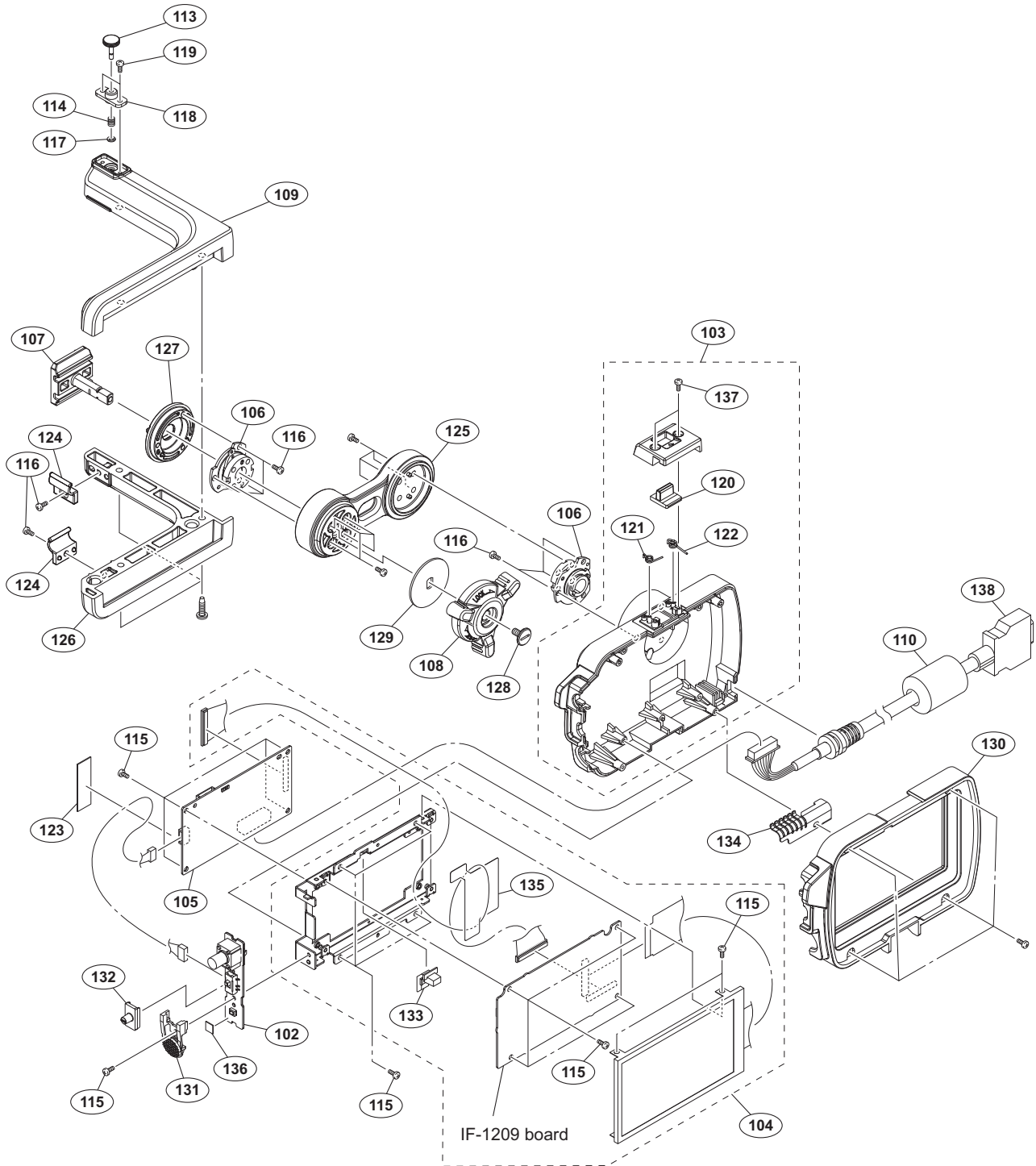
3-2. Exploded Views

Loupe Elbow



No.	Part No.	SP Description
1	A-1926-703-A	s ELBOW SUB ASSY
2	A-1853-004-A	s LOUPE ASSY
3	X-2541-756-2	s MIRROR ASSY
4	1-856-308-12	s LOUPE, VF
5	3-878-206-02	s SPRING ,TORSION COIL
6	3-878-207-01	s BLOCK,SHAFT FIXED
7	3-878-208-02	s EYE CUP
8	3-878-209-02	s HINGE, SWITCHING
9	3-878-231-11	s SW SLIDE
10	3-878-232-11	s SPRING (A90), TORSION COIL
11	3-878-233-11	s SPRING (A-70),TORSION COIL
12	4-168-080-01	s LEVER, LOCK
13	4-654-273-02	s ACE (M2), LOCK
	7-621-284-00	s SCREW +P 2.6X4
	7-626-314-31	s SPRING PIN 2X16

LCD Rail



No.	Part No.	SP Description
102	A-1908-443-A	s MOUNTED CIRCUIT BOARD, SW-1576
103	A-1926-701-A	s CASE (B) ASSY, LCD
104	A-1927-450-A	s LCD ASSY, 3.5 INCH
105	A-1927-451-A	s MOUNTED CIRCUIT BOARD, VF-91
106	X-2318-442-1	s HINGE ASSY
107	X-2586-817-1	s SHAFT ASSY, SHOE
108	X-2586-818-1	s KNOB ASSY, LOCK
109	X-2587-004-1	s L-RAIL TOP ASSY
110	1-481-528-21	s CLAMP, FERRITE
113	2-277-457-11	s KNOB, STOPPER
114	2-277-466-11	s SPRING, COMPRESSION
115	2-630-005-31	s SCREW (M2), NEW TRUSTER, P2

No.	Part No.	SP Description
116	3-637-901-11	s SCREW M2.6X5
117	3-669-465-01	s WASHER (1.5), STOPPER
118	3-710-008-11	s HOUSING, STOPPER
119	3-719-381-02	s SCREW (M2X4)
120	3-878-231-11	s SW SLIDE
121	3-878-232-11	s SPRING (A90), TORSION COIL
122	3-878-233-11	s SPRING (A-70), TORSION COIL
123	4-121-237-01	s TAPE (20X30)
124	4-197-161-01	s HOLDER, CABLE
125	4-456-176-01	s SINGLE ARM
126	4-456-178-01	s L-RAIL BOTTOM
127	4-456-179-01	s ROCK RING

LCD Rail

No.	Part No.	SP Description
128	4-456-181-01	s SCREW STOPPER
129	4-456-183-01	s WASHER SLOCK
130	4-458-698-01	s CASE (A), LCD
131	4-458-702-02	s KNOB, PUSH SWITCH
132	4-458-703-02	s KNOB (VF), SWITCH
133	4-458-704-02	s GUIDE, LIGHT
134	4-458-705-01	s CABLE EARTH, VF
135	4-460-687-01	s SHEET, HARNESS PROTECTION
136	4-461-167-02	s CUSHION (5X5)
137	4-654-273-02	s ACE (M2), LOCK
138	1-846-690-11	s CORD, CONNENTION (VF)
	7-621-772-30	s SCREW +B 2X6
	7-621-775-50	s SCREW +B 2.6X10
	7-627-556-58	s SCREW +P 2.6X5