

**SONY**<sup>®</sup>

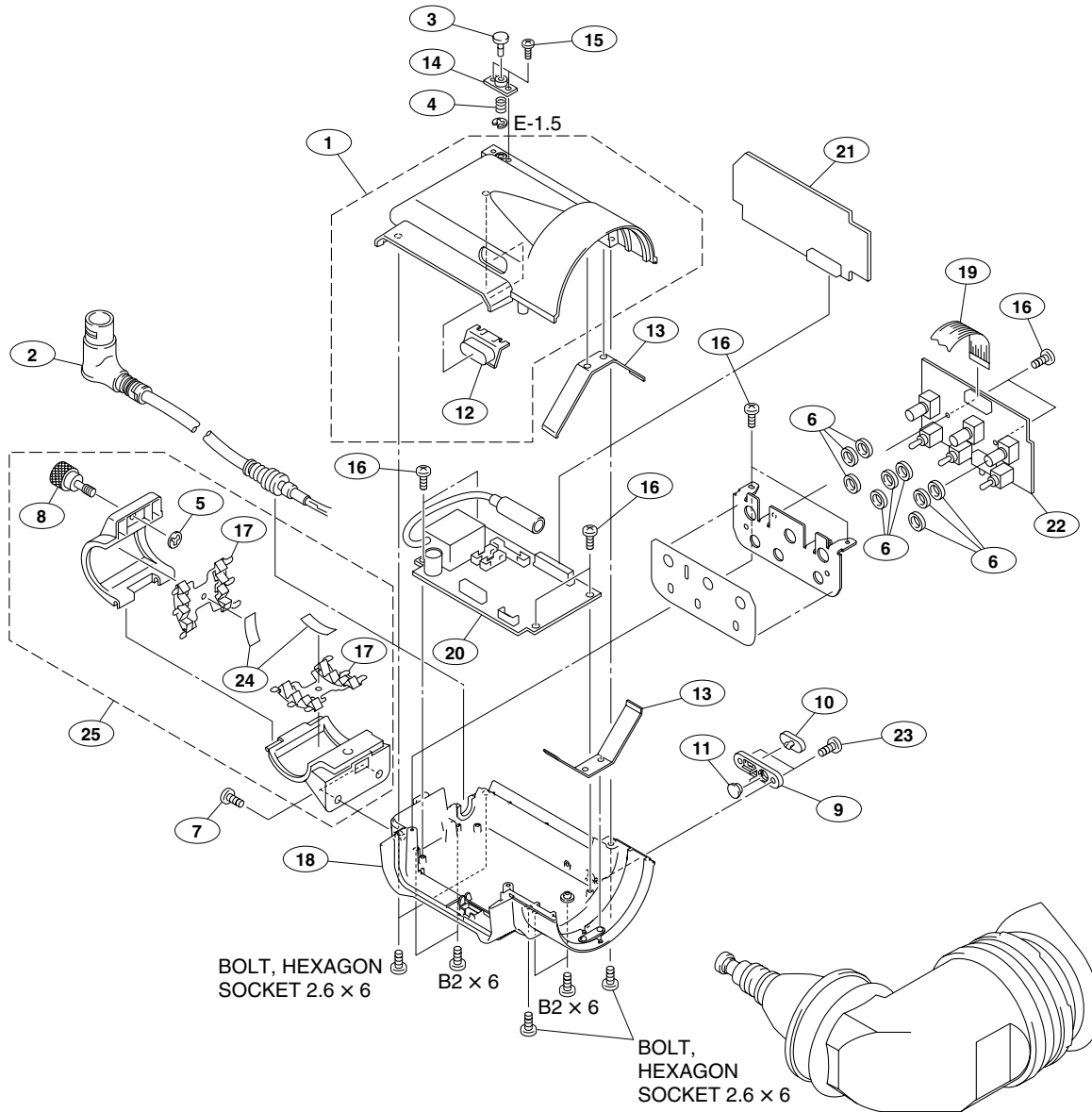
HD ELECTRONIC VIEWFINDER

**HDVF-200**

MAINTENANCE MANUAL  
1st Edition (Revised 1)

## Section 3 Spare Parts

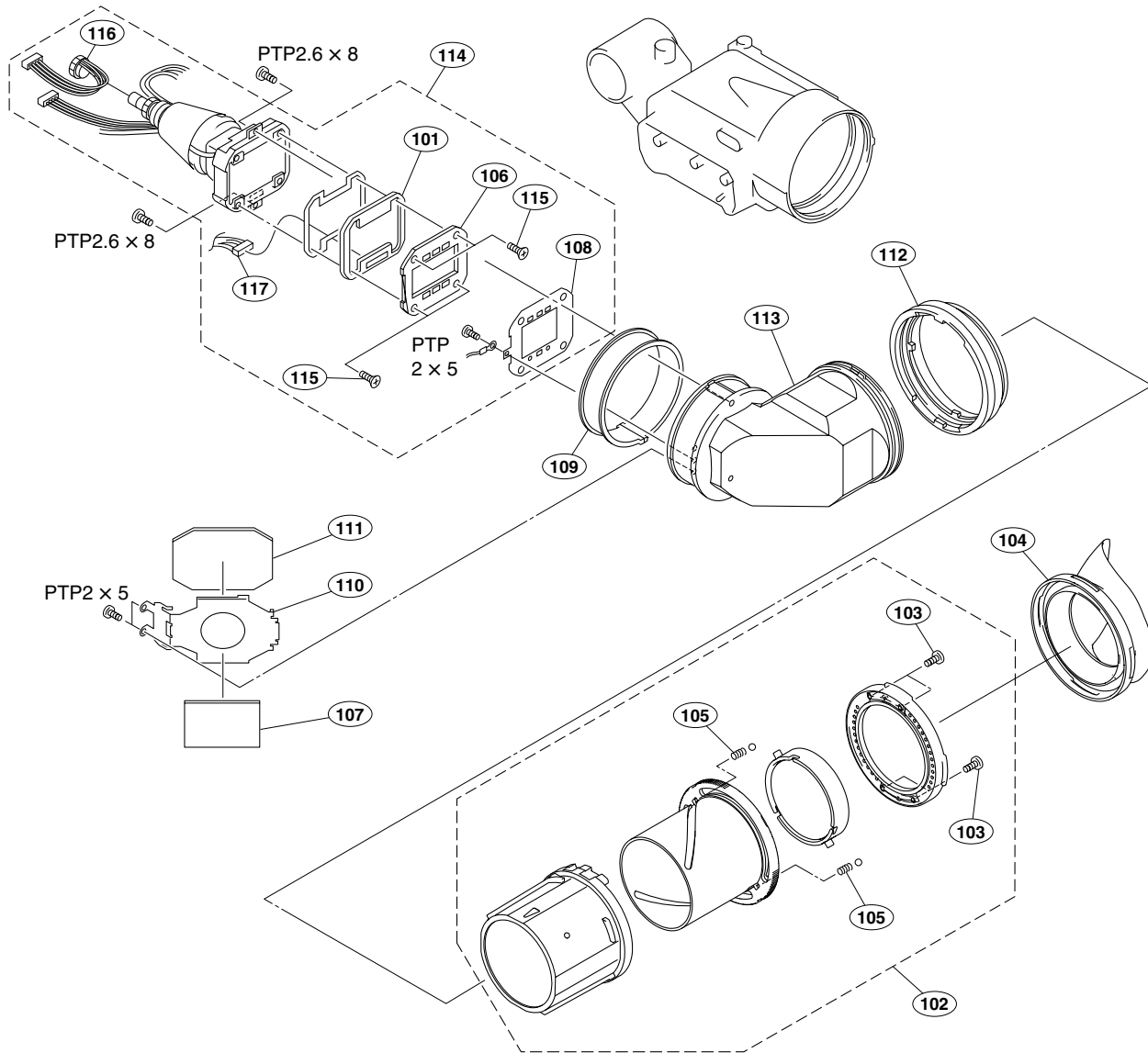
### 3-1. Exploded Views



No.	Part No.	SP Description
1	X-2318-328-1	s CHASSIS (UPPER) ASSY
2	1-827-581-15	s CORD, CONNECTION (VF)
3	2-277-457-01	s KNOB, STOPPER
4	2-277-466-01	s SPRING, COMPRESSION
5	3-165-904-01	s WASHER, SCREW STOPPER
6	3-292-861-01	s WASHER, SEALING
7	3-364-990-12	s SCREW (M3X8)
8	3-633-916-01	s SCREW (M5)
9	3-679-693-01	o BASE, SLIDE
10	3-679-694-01	o COVER, SLIDE
11	3-679-695-01	o COVER, TALLY
12	3-692-132-03	o COVER, TALLY
13	3-697-152-01	o SPRING, LEAF (2)
14	3-710-008-02	s HOUSING, STOPPER
15	3-719-381-02	s SCREW (M2X4)

No.	Part No.	SP Description
16	3-729-076-11	s SCREW (+B) (2X4)
17	3-854-132-01	s GEL, MIC
18	3-876-763-01	s CHASSIS, BOTTOM
19	9-885-099-47	s FFC
20	9-885-120-27	s MOUNTED CIRCUIT BOARD, MAIN (EVE6-01-1)
21	9-885-120-28	s MOUNTED CIRCUIT BOARD, SUB (1) (EVE5-01)
22	9-885-120-29	s MOUNTED CIRCUIT BOARD, SUB (2) (EVE5-02)
23	7-627-554-18	s SCREW, PRECISION +P 2X3.5 TYPE1
24	3-941-343-01	s TAPE (A)
25	A-1511-856-B	s MIC HOLDER ASSY (SERVICE)
	7-621-772-30	s SCREW +B 2X6
	7-624-102-04	s STOP RING 1.5, TYPE -E
	7-683-412-05	s BOLT, HEXAGON SOCKET 2.6X6

## Viewfinder (2)



No.	Part No.	SP Description
101	A-1144-569-A	s MOUNTED CIRCUIT BOARD, LE-299
102	1-788-774-11	s LOUPE, VF
103	3-080-206-41	s SCREW, TAPPING, P2
104	3-209-288-01	s EYE CUP
105	3-573-150-02	s SPRING, COMPRESSION
106	3-603-499-02	s SPACER, MASK (POLYPLASTICS)
107	3-723-073-01	s CUSHION, MIRROR
108	3-876-715-01	s PANEL, DISPLAY
109	3-876-750-01	s VF RING
110	3-876-751-01	s HOLDER, MIRROR
111	3-876-758-01	s MIRROR
112	3-876-759-01	s RING, FIXED
113	3-876-761-01	s TUBE, VF
114	△ 9-885-089-21	s CRT/DY+ CONNECTOR ASSY
115	7-627-452-38	s SCREW, PRECISION +K 2X5

No.	Part No.	SP Description
116	9-885-089-22	s CRT, SOCKET
117	9-885-127-64	s HARNESS, 8 CORE
	7-685-103-19	s SCREW +P 2X5 TYPE2 NON-SLIT
	7-685-134-19	s SCREW +P 2.6X8 TYPE2 NON-SLIT