

**SONY®**

SOLID-STATE MEMORY CAMCORDER

**PMW-F3**



**XDCMEX SXS**

*Exmor*  
Super35 CMOS

**HDMI i**

SERVICE MANUAL

1st Edition

## Section 5 Spare Parts

### 5-1. Note on Repair Parts

#### 1. Safety Related Components Warning

##### **WARNING**

Components marked  $\triangle$  are critical to safe operation. Therefore, specified parts should be used in the case of replacement.

#### 2. Standardization of Parts

Some repair parts supplied by Sony differ from those used for the unit. These are because of parts commonality and improvement.

#### 3. Stock of Parts

Parts marked with “o” at SP (Supply Code) column of the spare parts list may not be stocked. Therefore, the delivery date will be delayed.

#### 4. Harness

Harnesses with no part number are not registered as spare parts.

#### 1. 安全重要部品

##### **△ 警告**

$\triangle$ 印のついた部品は安全性を維持するために重要な部品です。したがって、交換する時は必ず指定の部品を使ってください。

#### 2. 部品の共通化

ソニーから供給する補修用部品は、セットに使われているものと異なることがあります。これは部品の共通化、改良等によるものです。

#### 3. 部品の在庫

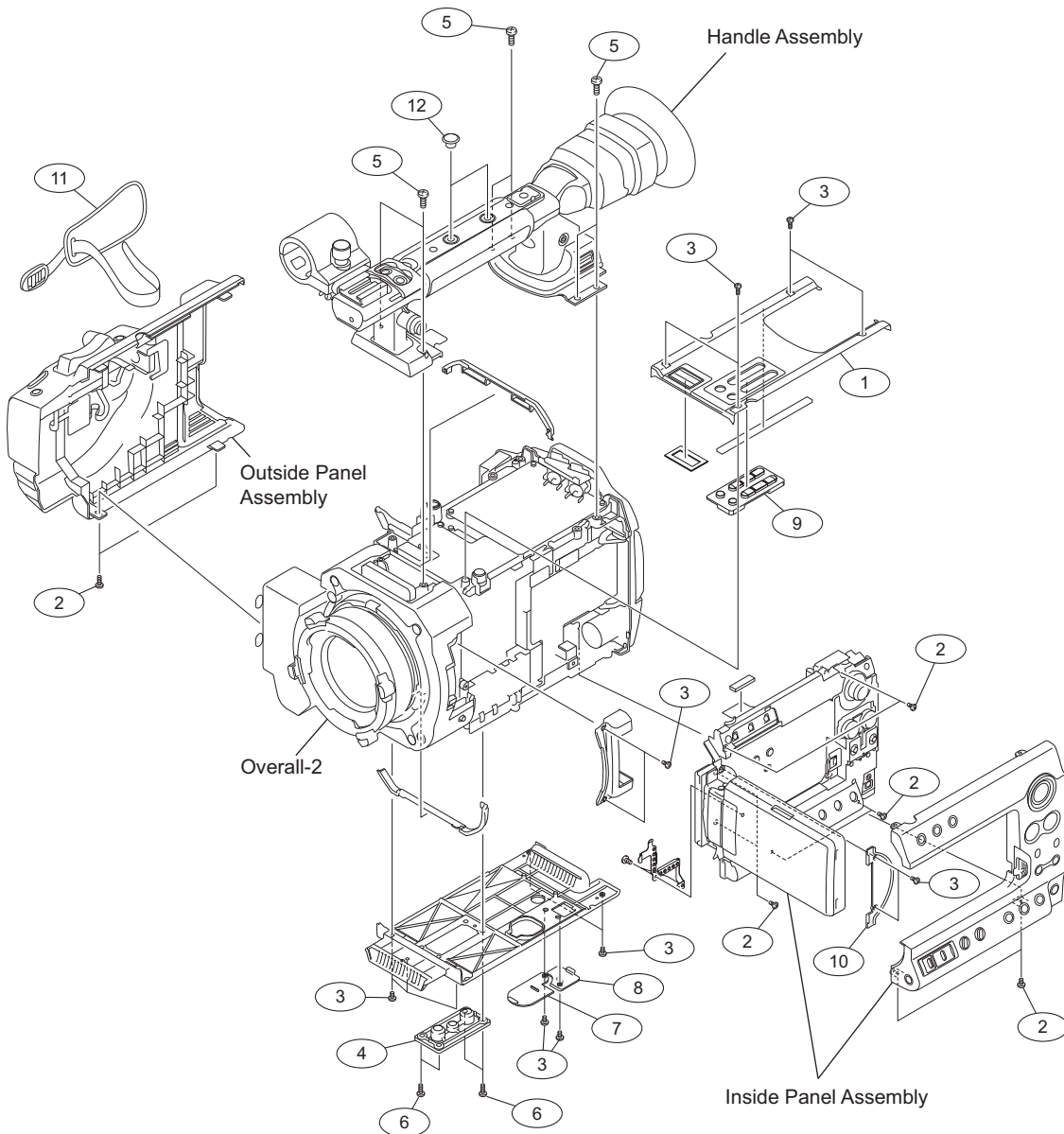
部品表の SP (Supply code) 欄に “o” で示される部品は在庫していないことがあり、納期が長くなることがあります。

#### 4. ハーネス

部品番号の記載されていないハーネスは、サービス部品として登録されていません。

## 5-2. Exploded Views

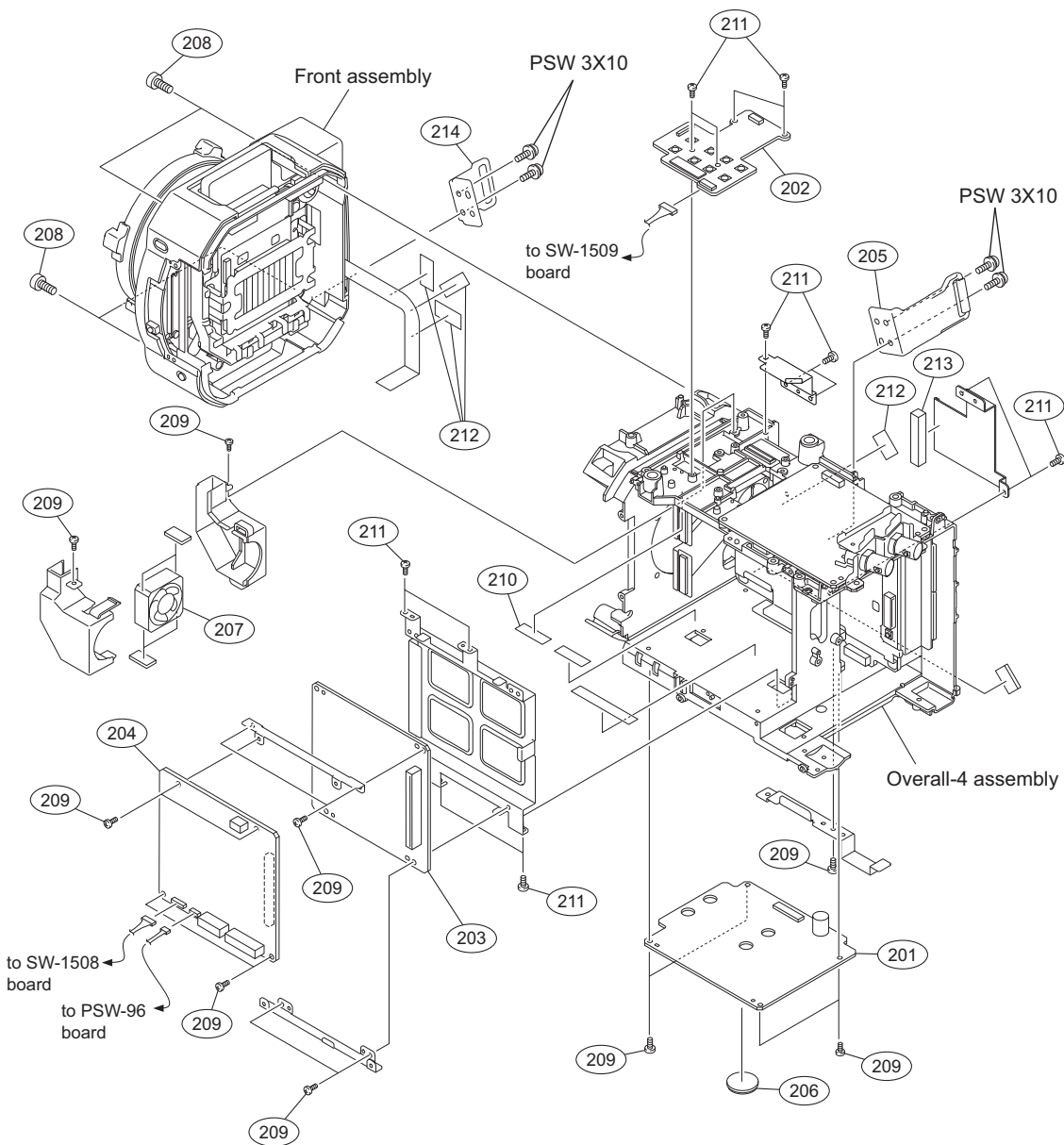
### Overall-1



No.	Part No.	SP	Description
1	X-2580-849-1	s	SUB ASSY, TOP PANEL
2	3-056-233-21	s	SCREW (M2), LOCK ACE, P2
3	3-080-203-31	s	SREW (M2), LOCK ACE,P2
4	3-288-392-01	s	WASHER (D), TRIPOD
5	3-364-990-12	s	SCREW (M3X8)
6	4-183-321-01	s	M2.6 (ECOLOGY), LOCK
7	4-275-218-01	s	COVER, LITHIUM BATTERY
8	4-275-220-01	s	USB CN COVER
9	4-275-228-02	s	SW KEY, RUBBER
10	4-275-238-01	s	COVER, PANEL
11	4-275-256-01	s	BELT, GRIP
12	4-275-257-01	s	TOP CAP

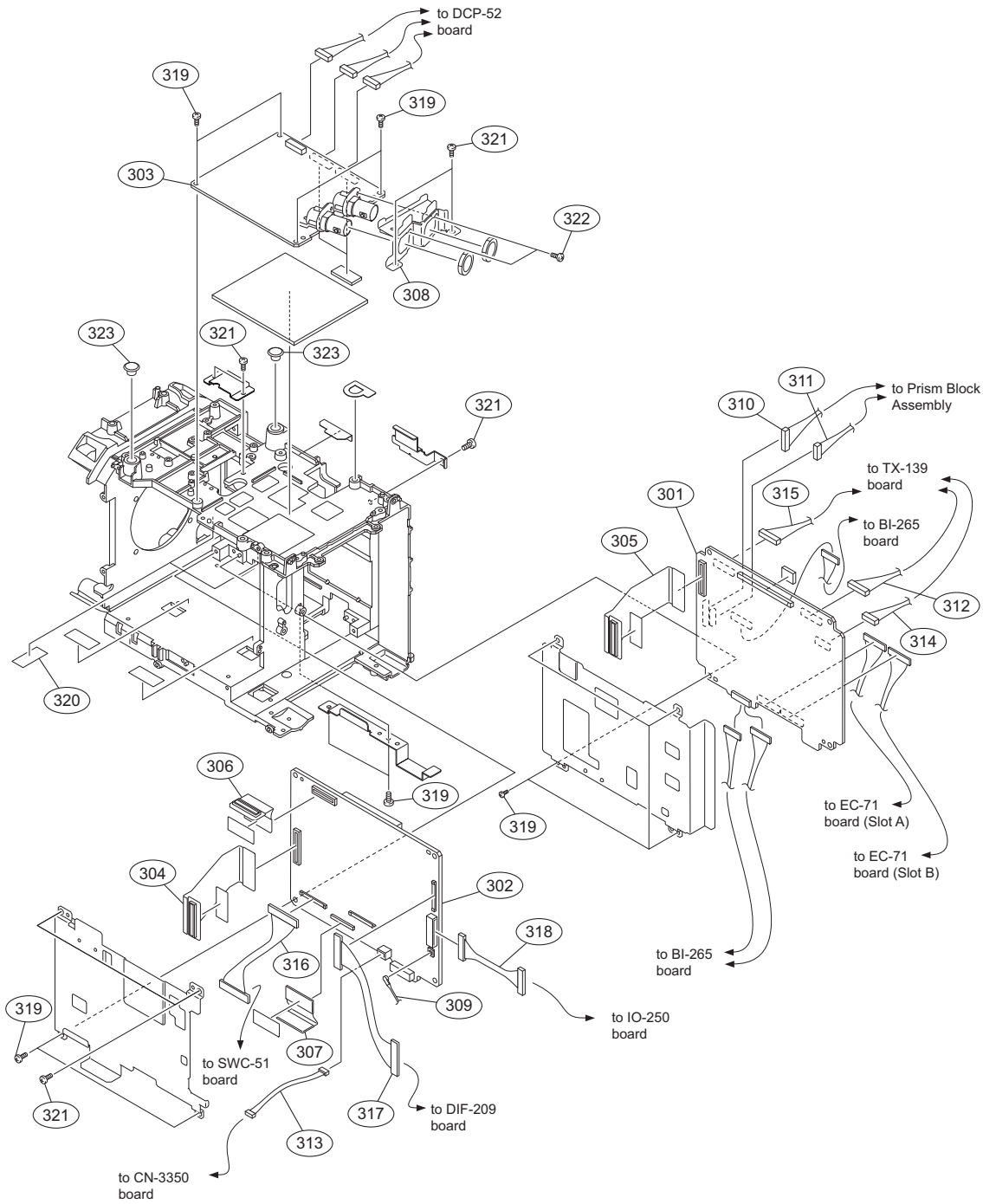


## Overall-3



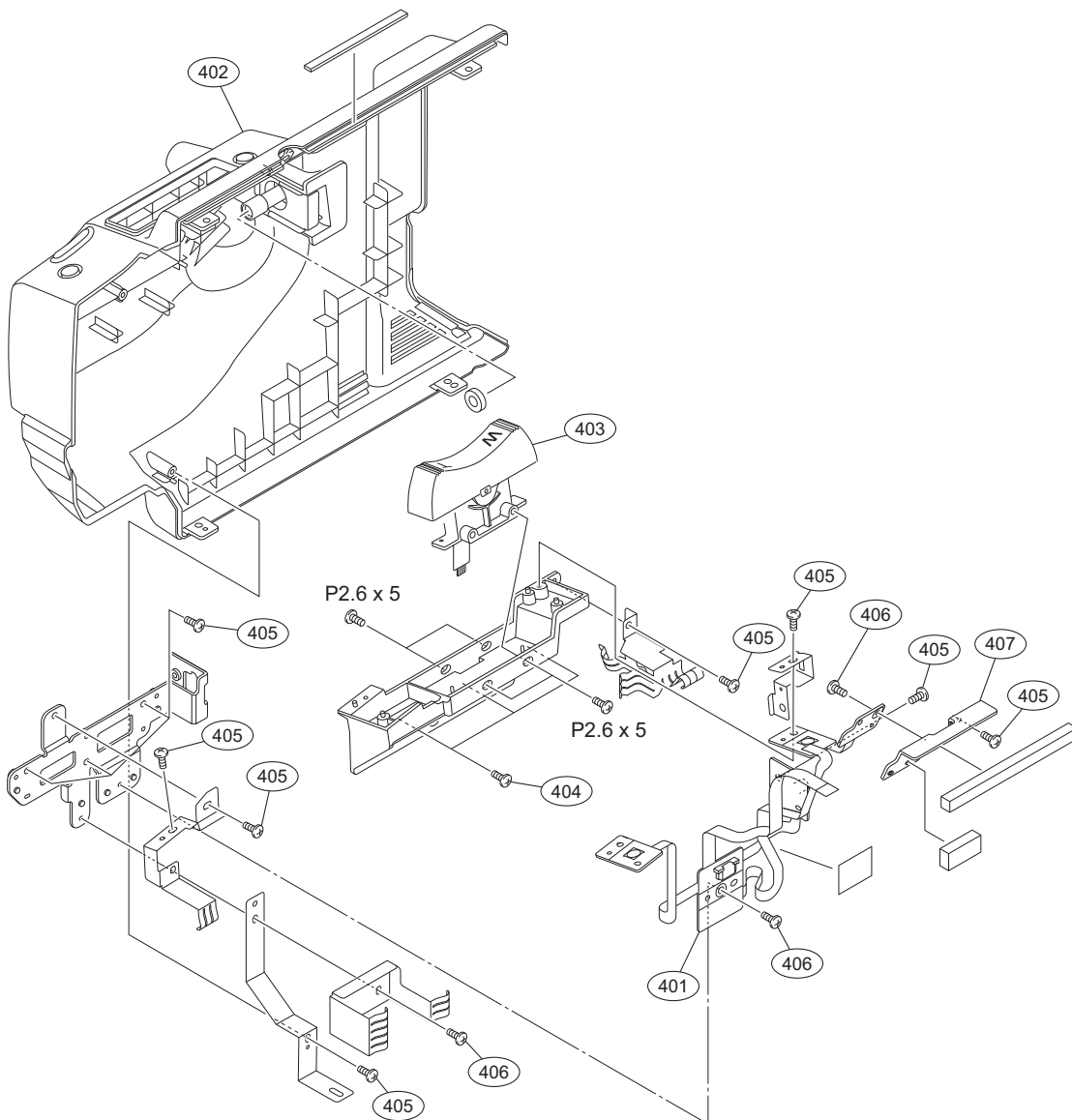
No.	Part No.	SP	Description
201	A-1799-072-A	s	MOUNTED CIRCUIT BOARD, AU-337
202	A-1799-083-A	s	MOUNTED CIRCUIT BOARD, KSW-58
203	A-1803-288-A	s	MOUNTED CIRCUIT BOARD, RE-285
204	A-1803-289-A	s	MOUNTED CIRCUIT BOARD, RE-286
205	X-2580-850-1	s	BRACKET A ASSY, BELT
206	1-528-174-33	s	BATTERY, LITHIUM (CR2032 TYPE)
207	1-855-061-11	s	FAN, DC (25 SQUARE)
208	2-623-773-21	s	BOLT (M3X10), STAINLESS
209	3-056-233-21	s	SCREW (M2), LOCK ACE, P2
210	3-079-115-01	s	TAPE AS
211	3-968-729-52	s	SCREW (M2), LOCK ACE, P2
212	3-878-890-02	s	TAPE (SWC48)
213	4-129-038-01	s	FOAM (MOF), SHIELD
214	4-275-212-01	s	BRACKET, BELT B
	7-682-949-01	s	SCREW +PSW 3X10

# Overall-4



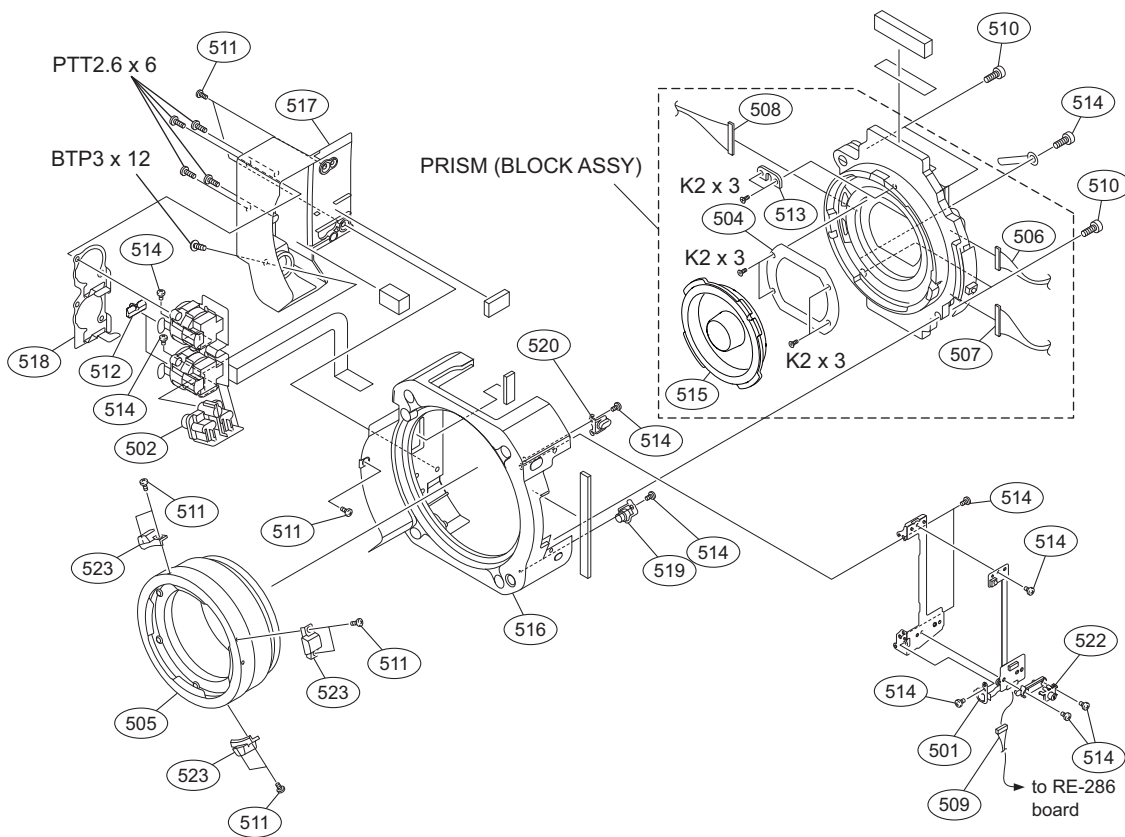
No.	Part No.	SP	Description	No.	Part No.	SP	Description
301	A-1829-731-A	s	MOUNTED CIRCUIT BOARD, DCP-52 (RP)	311	1-967-676-11	s	HARNESS, SUB (SE)
302	A-1829-732-A	s	MOUNTED CIRCUIT BOARD, DPR-334 (RP)	312	1-967-677-11	s	HARNESS, SUB (TX)
303	A-1829-733-A	s	MOUNTED CIRCUIT BOARD, TX-139 (RP)	313	1-967-678-11	s	HARNESS, SUB (USB)
304	A-1799-075-A	s	MOUNTED CIRCUIT BOARD, HN-370	314	1-967-680-11	s	HARNESS (DCP-TX1)
305	A-1799-076-A	s	MOUNTED CIRCUIT BOARD, HN-371	315	1-967-681-11	s	HARNESS (DCP-TX2)
306	A-1799-077-A	s	MOUNTED CIRCUIT BOARD, HN-373	316	1-967-682-11	s	HARNESS (LCD)
307	A-1799-085-A	s	MOUNTED CIRCUIT BOARD, HN-374	317	1-967-683-11	s	HARNESS (HDMI)
308	X-2580-847-1	s	BNC BRACKET ASSY	318	1-967-686-11	s	HARNESS, SUB (IO)
309	1-838-667-11	s	CABLE ASSEMBLY, COAXIAL	319	3-056-233-21	s	SCREW (M2), LOCK ACE, P2
310	1-967-675-11	s	HARNESS, SUB (LENS)	320	3-079-115-01	s	TAPE AS
				321	3-968-729-52	s	SCREW (M2), LOCK ACE, P2
				322	4-183-321-01	s	M2.6 (ECOLOGY), LOCK
				323	4-275-257-01	s	TOP CAP

## Outside panel assembly



No.	Part No.	SP	Description
401	A-1799-154-A	s	MOUNTED CIRCUIT BOARD, SW-1511
402	X-2580-843-1	s	SUB ASSY, OUTSIDE PANEL
403	1-458-342-11	s	SEESAW, ZOOM
404	3-080-203-31	s	SREW(M2), LOCK ACE,P2
405	3-080-206-21	s	SCREW, TAPPING, P2
406	3-968-729-52	s	SCREW (M2), LOCK ACE, P2
407	4-275-104-01	s	BRACKET, SW
	7-685-132-19	s	SCREW +P 2.6X5 TYPE2 NON-SLIT

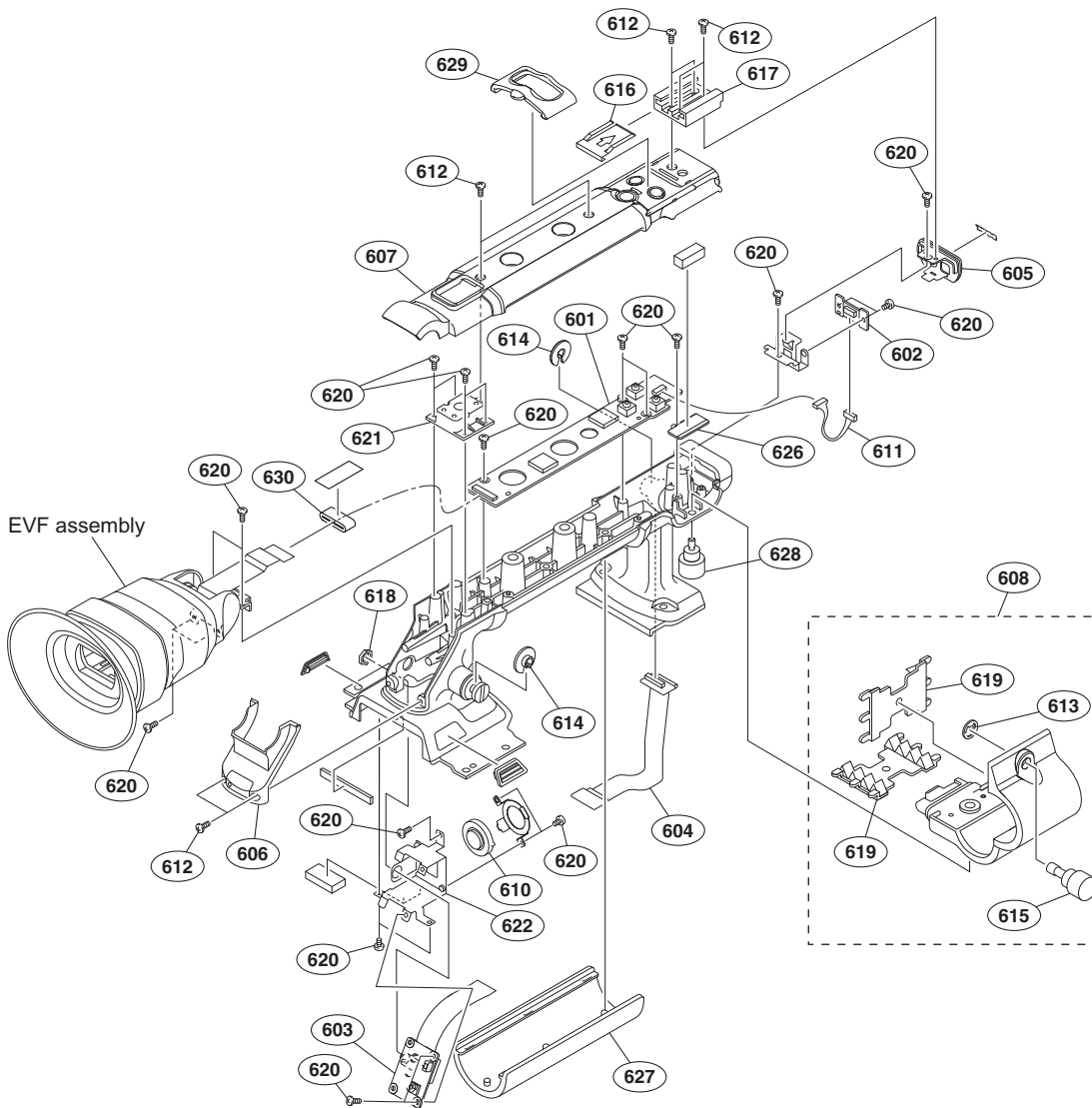
## Front assembly



No.	Part No.	SP	Description
501	A-1799-080-A	s	MOUNTED CIRCUIT BOARD, SW-1508
502	A-1799-146-A	s	MOUNTED CIRCUIT BOARD, AXM-45
504	1-856-208-11	s	FILTER UNIT, OPTICAL
505	1-856-209-11	s	ADAPTOR, PL CAMERA
506	1-967-666-12	s	HARNESS, SUB (BI-DCP15)
507	1-967-667-12	s	HARNESS, SUB (BI-DCP22)
508	1-967-668-12	s	HARNESS (BI-DCP)
509	1-967-674-11	s	HARNESS, SUB (FRONT RE)
510	2-623-773-21	s	BOLT (M3X10), STAINLESS
511	3-080-203-31	s	SREW (M2), LOCK ACE, P2
512	3-278-665-02	s	KNOB, XLR SW
513	3-776-897-02	s	GUIDE PLATE
514	3-968-729-52	s	SCREW (M2), LOCK ACE, P2
515	4-104-999-02	s	CAP, MOUNT
516	4-260-152-01	s	PANEL, FRONT
517	4-260-153-02	s	BOX, MICROPHONE CONNECTOR
518	4-275-155-01	s	BRACKET (XLR)
519	4-275-156-01	s	BUTTON (ASSIGN)
520	4-275-157-01	s	BUTTON (5600K)
522	4-275-168-01	s	KNOB (SHUTTER)
523	4-275-298-02	s	LEVER, PL MOUNT
	7-627-452-18	s	SCREW, PRECISION +K 2X3
	7-685-548-19	s	SCREW +BTP 3X12 TYPE2 N-S
	7-685-792-09	s	SCREW +PTT 2.6X6 (S)

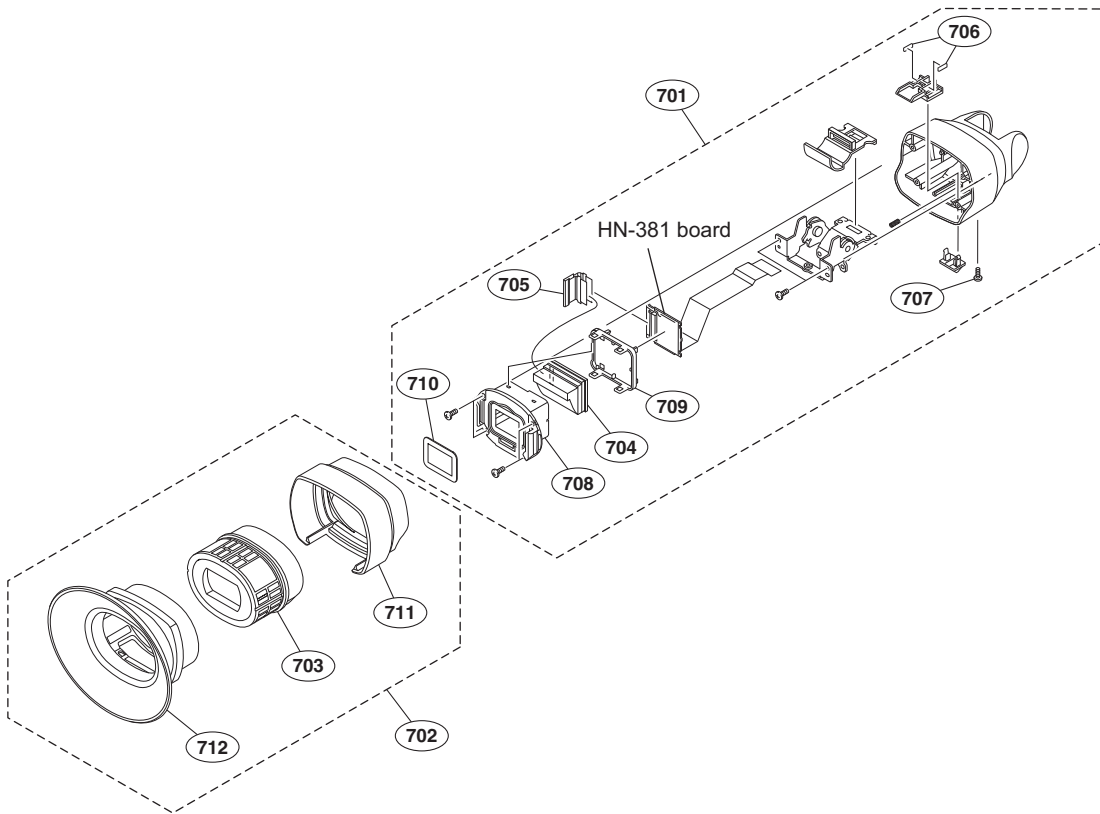


## Handle assembly



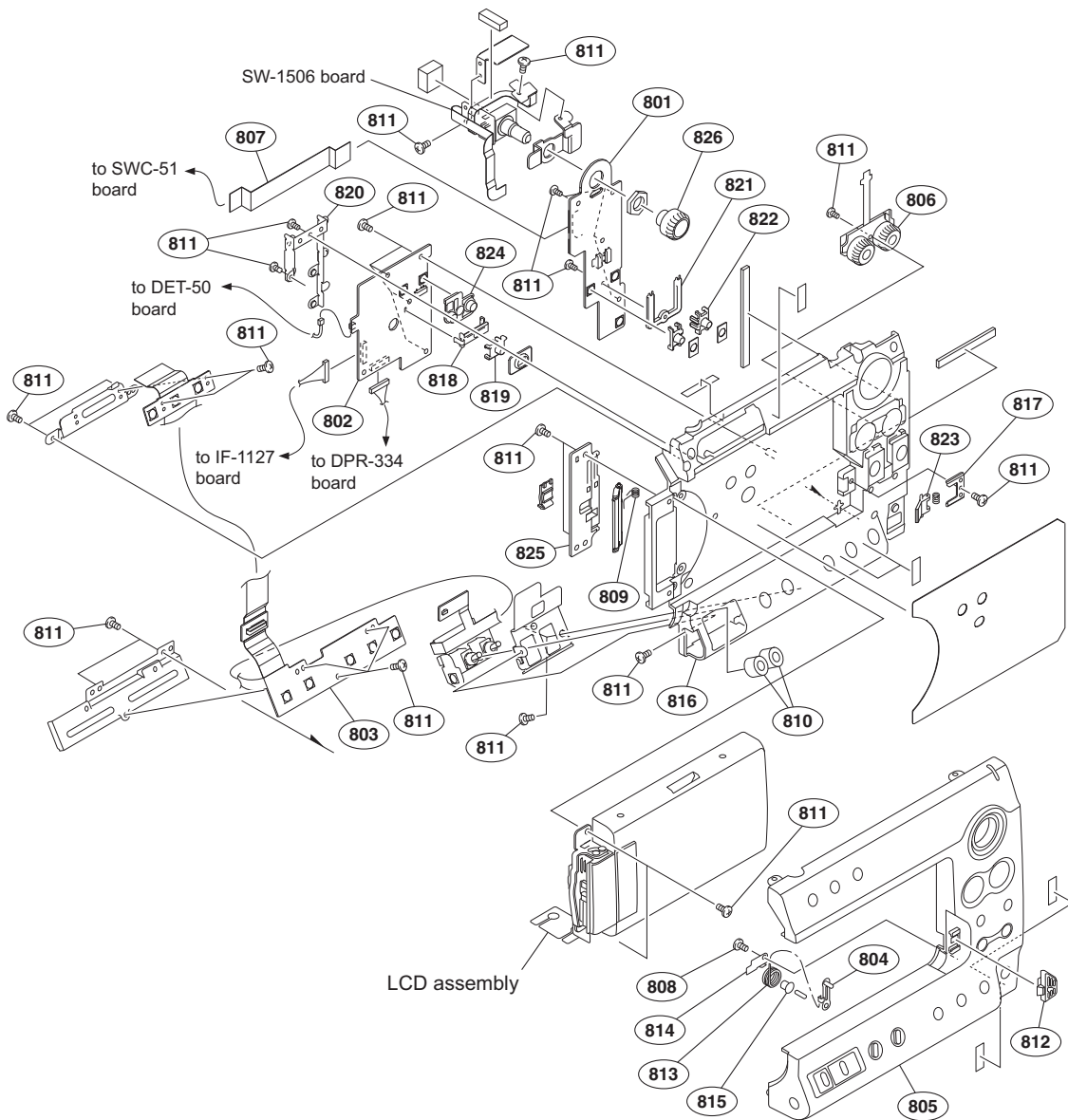
No.	Part No.	SP	Description	No.	Part No.	SP	Description
601	A-1799-078-A	s	MOUNTED CIRCUIT BOARD, DR-661	627	4-275-241-01	s	HANDLE GRIP
602	A-1799-148-A	s	MOUNTED CIRCUIT BOARD, RM-233	628	4-275-246-01	s	SCREW (M3)
603	A-1799-149-A	s	MOUNTED CIRCUIT BOARD, RM-234	629	4-275-254-01	s	ASSIGN GUARD
604	A-1799-153-A	s	MOUNTED CIRCUIT BOARD, HN-375	630	4-279-243-01	s	EVF FERRITE CORE
605	X-2580-844-1	s	HANDLE COVER (FRONT) ASSY				
606	X-2580-845-1	s	HANDLE COVER (REAR) ASSY				
607	X-2580-846-1	s	HANDLE COVER (TOP) ASSY				
608	X-2580-848-1	s	MICROPHONE HOLDER ASSY				
610	1-825-968-11	s	LOUDSPEAKER (1.8CM)				
611	1-967-688-11	s	HARNES, SUB (FRONT RM)				
612	3-080-203-31	s	SREW (M2), LOCK ACE,P2				
613	3-165-904-01	s	WASHER, SCREW STOPPER				
614	3-654-615-02	s	COLLAR, SUSPENSION				
615	3-657-657-02	s	SCREW (M5)				
616	3-688-754-11	s	SPRING				
617	3-688-755-13	s	SHOE, ACCESSORY				
618	3-724-182-01	s	NUT (SMALL JACK), M6				
619	3-854-132-01	s	GEL, MIC				
620	3-968-729-52	s	SCREW (M2), LOCK ACE, P2				
621	4-164-569-02	s	SHOE REAR ACCESSORY				
622	4-275-147-01	s	RM-234 BRACKET				
626	4-275-154-01	s	MIC BRACKET				

## EVF assembly



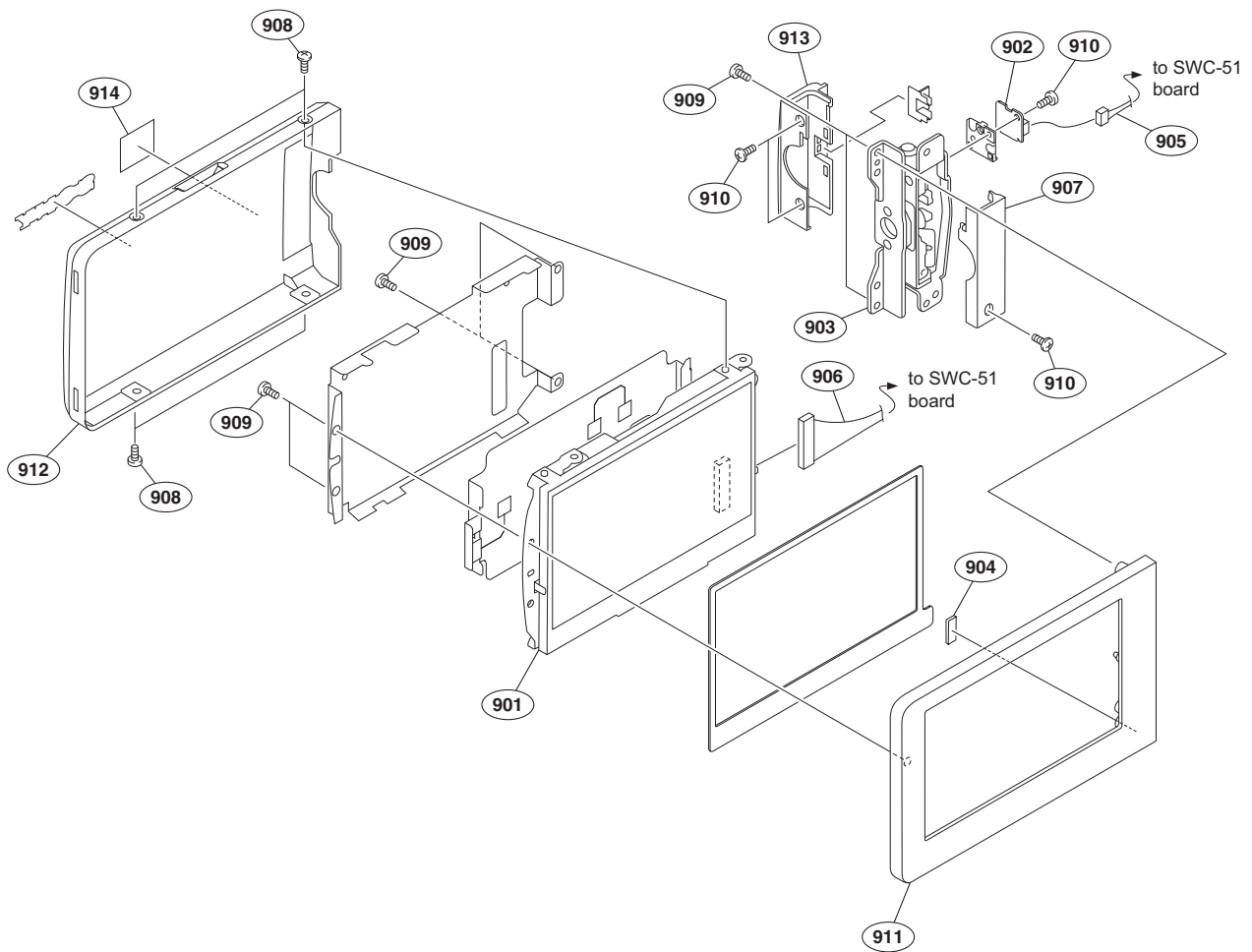
No.	Part No.	SP	Description
701	A-1814-746-A	s	EVF FRONT ASSY
702	A-1814-747-A	s	EVF REAR ASSY
703	X-2515-730-2	s	LOUPE ASSY
704	1-811-033-11	s	LCD MODULE
705	1-873-733-11	s	PWB, FP-776 FLEXIBLE
706	3-060-588-01	s	SPACER, LOCK
707	3-080-203-31	s	SREW (M2), LOCK ACE,P2
708	3-288-585-01	s	CASE, PANEL
709	3-288-586-01	s	LID, PANEL
710	3-288-591-01	s	SHEET, VF PROTECTION
711	4-275-142-01	s	EVF REAR CABINET
712	4-275-143-01	s	EYE CUP

## Inside panel assembly



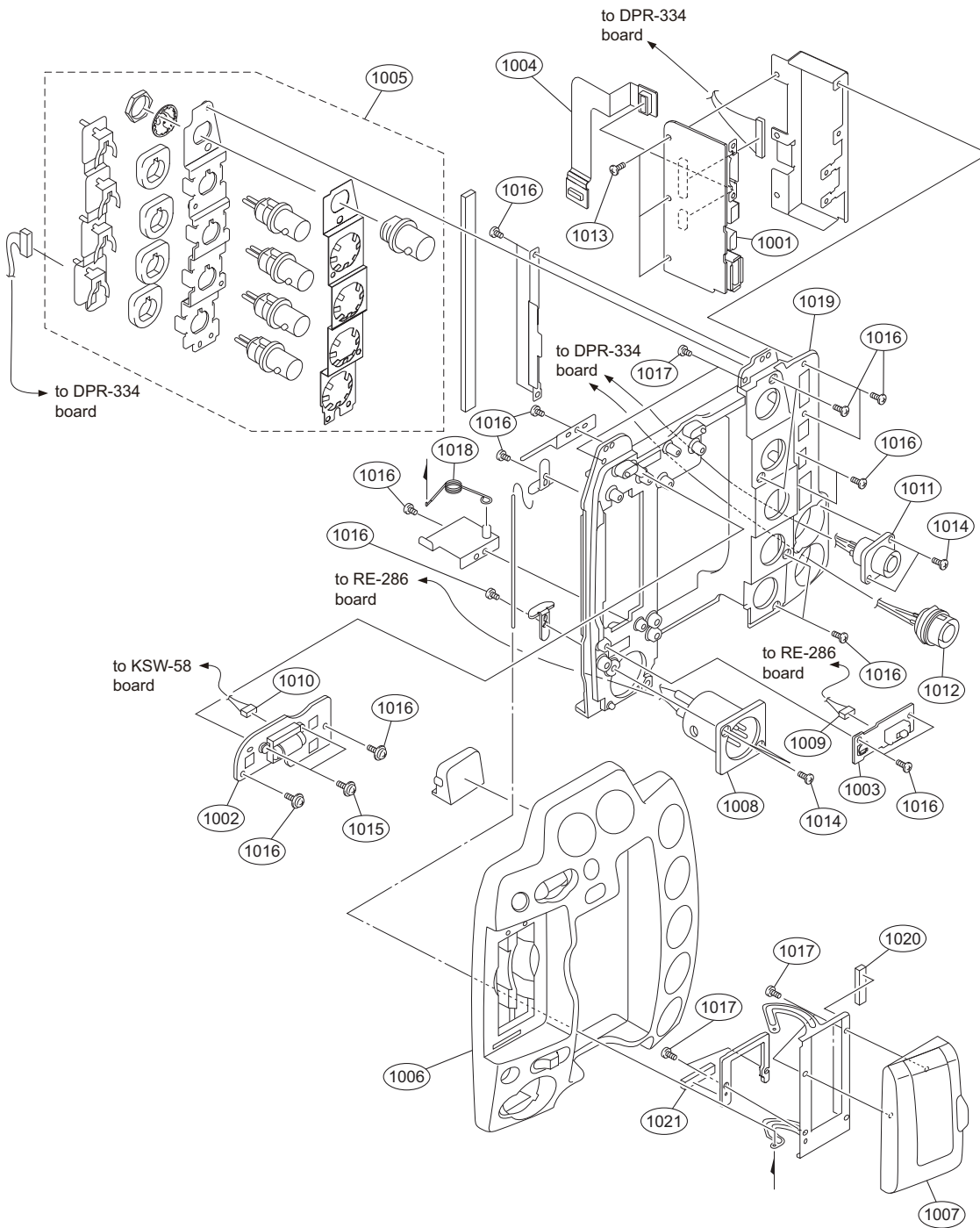
No.	Part No.	SP	Description	No.	Part No.	SP	Description
801	A-1799-079-A	s	MOUNTED CIRCUIT BOARD, SW-1505	821	4-275-089-01	s	RAIL, SLIDE
802	A-1799-084-A	s	MOUNTED CIRCUIT BOARD, SWC-51	822	4-275-090-01	s	SWITCH, SLIDE
803	A-1799-152-A	s	MOUNTED CIRCUIT BOARD, SW-1510	823	4-275-092-01	s	UP, POP
804	X-2580-841-1	s	ARM ASSY, LOCK	824	4-275-093-01	s	BUTTON (5)
805	X-2580-842-1	s	INSIDE PANEL ASSY	825	4-275-239-01	s	COVER, LCD HARNESS
806	1-480-457-31	s	BLOCK, AU VOLUME	826	4-275-242-01	s	KEY TOP
807	1-838-741-11	s	CABLE, FLEXIBLE FLAT (20 CORE)				
808	3-080-206-21	s	SCREW, TAPPING, P2				
809	3-870-139-01	s	SPRING, HELICAL TORSION				
810	3-878-080-01	s	SPACER, LIGHT INTERCEPTION				
811	3-968-729-52	s	SCREW (M2), LOCK ACE, P2				
812	4-275-076-01	s	KNOB, LOCK				
813	4-275-077-01	s	SPRING (LCD LOCK)				
814	4-275-078-01	s	BRACKET, LOCK				
815	4-275-079-01	s	SLEEVE (LCD LOCK)				
816	4-275-080-01	s	PANEL (SUB), INSIDE				
817	4-275-083-01	s	SPRING, HELICAL TORSION COIL				
818	4-275-085-01	s	SLIDE RAIL BL				
819	4-275-086-01	s	SWITCH (BL), SLIDE				
820	4-275-087-01	s	HOLDER (DU)				

## LCD assembly



No.	Part No.	SP	Description
901	A-1748-439-A	s	3.5 INCH LCD ASSY
902	A-1786-301-A	s	MOUNTED CIRCUIT BOARD, DET-50
903	X-2580-838-1	s	HINGE ASSY
904	1-471-483-11	s	MAGNET, LCD
905	1-967-679-11	s	HARNESS, SUB (LCD DET)
906	1-967-687-11	s	HARNESS (COLOR LCD)
907	3-060-694-11	s	COVER (REAR), HINGE
908	3-080-203-31	s	SREW (M2), LOCK ACE,P2
909	3-968-729-51	s	SCREW (M2), LOCK ACE, P2
910	3-989-735-11	s	SCREW (M1.7), LOCK ACE, P2
911	4-275-060-01	s	BEZEL, LCD
912	4-275-061-02	s	COVER, LCD
913	4-275-063-01	s	COVER, HINGE
914	4-275-281-01	s	EMBLEM (L20), CINEALTA

## Rear panel assembly



No.	Part No.	SP	Description
1001	A-1799-074-A	s	MOUNTED CIRCUIT BOARD, DIF-209
1002	A-1799-081-A	s	MOUNTED CIRCUIT BOARD, SW-1509
1003	A-1799-082-A	s	MOUNTED CIRCUIT BOARD, PSW-96
1004	A-1799-147-A	s	MOUNTED CIRCUIT BOARD, HN-372
1005	A-1799-150-A	s	MOUNTED CIRCUIT BOARD, IO-250
1006	X-2580-839-2	s	COVER ASSY, REAR PANEL
1007	X-2580-840-1	s	COVER ASSY (SXS)
1008	1-967-669-11	s	HARNESS, SUB (DC IN)
1009	1-967-670-12	s	HARNESS, SUB (POWER SW)
1010	1-967-671-11	s	HARNESS, SUB (REAR SW)
1011	1-967-672-11	s	HARNESS, SUB (RM)
1012	1-967-673-12	s	HARNESS, SUB (3D)
1013	3-080-203-31	s	SREW (M2), LOCK ACE, P2

No.	Part No.	SP	Description
1014	3-637-901-11	s	SCREW M2.6X5
1015	3-729-013-21	s	SCREW (M1.4X2.5), WASHERHEAD (+P)
1016	3-968-729-52	s	SCREW (M2), LOCK ACE, P2
1017	3-080-206-21	s	SCREW, TAPPING, P2
1018	4-275-131-02	s	SXS SPRING (0.6)
1019	4-275-134-01	s	PANEL, REAR
1020	4-277-556-02	s	SXS CUSHION
1021	4-279-161-01	s	SXS SUB CUSHION